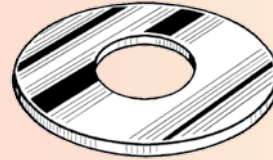


\$SMART BUYS

June 2011

CIC 200™ FLAT WASHERS USS WIDE BAND FLAT WASHERS

- TRIPLE HEAT TREATED
- USS DIMENSIONS
- SMOOTH BEARING SURFACE
- DICHROMATE PLATING



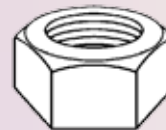
SIZE	I.D.	O.D.	P/N	SPECIAL PRICE
1/4"	5/16"	3/4"	8000	\$8.99/C - pkg. 100
5/16"	3/8"	7/8"	8001	\$10.99/C - pkg. 100
3/8"	7/16"	1"	8002	\$13.99/C - pkg. 100
7/16"	1/2"	1-1/4"	8003	\$23.99/C - pkg. 100
1/2"	9/16"	1-3/8"	8004	\$32.99/C - pkg. 100
9/16"	5/8"	1-1/2"	8005	\$45.98/C - pkg. 50
5/8"	11/16"	1-3/4"	8006	\$0.66 each - pkg. 50
3/4"	13/16"	2"	8007	\$0.92 each - pkg. 25
7/8"	15/16"	2-1/4"	8008	\$0.99 each - pkg. 25
1"	1-1/16"	2-1/2"	8009	\$1.49 each - pkg. 25
1-1/8"	1-1/4"	2-3/4"	8010	\$0.99 each - pkg. 10
1-1/4"	1-3/8"	3"	8011	\$1.99 each - pkg. 10
1-3/8"	1-1/2"	3-1/4"	8027	\$2.99 each - pkg. 10
1-1/2"	1-5/8"	3-1/2"	8012	\$3.49 each - pkg. 5

The More
You Save!
The More
You Win!

CIC 200™ ALLOY HEX NUTS

SAE FINISHED THICK HEX NUTS - DEVELOPED FOR HIGHER STRENGTH APPLICATIONS

- USE WITH CIC 200™ CAP SCREWS FOR BALANCED ASSEMBLY
- EXCEEDS GRADE 8 SPECIFICATIONS BY 20%
- TRIPLE HEAT TREATED
- 30% THICKER FOR GREATER HOLDING/WRENCHING POWER
- 180,000 PSI MINIMUM TENSILE STRENGTH
- DICHROMATE PLATING AND WAXED



SIZE	TPI	WAF	HGT	P/N	SPECIAL PRICE	SIZE	TPI	WAF	HGT	P/N	SPECIAL PRICE
1/4"	28	7/16"	9/32"	3700	\$21.99/C - pkg. 100	5/8"	18	15/16"	23/32"	3730	\$1.49 each - pkg. 25
5/16"	24	1/2"	21/64"	3705	\$35.99/C - pkg. 100	3/4"	16	1-1/8"	13/16"	3735	\$2.49 each - pkg. 20
3/8"	24	9/16"	13/32"	3710	\$46.99/C - pkg. 100	7/8"	14	1-5/16"	27/32"	3740	\$6.99 each - pkg. 10
7/16"	20	11/16"	29/64"	3715	\$67.98/C - pkg. 50	1"	14	1-1/2"	1"	3745	\$11.49 each - pkg. 5
1/2"	20	3/4"	9/16"	3720	\$82.98/C - pkg. 50	1-1/4"	12	1-7/8"	1-1/4"	3747	\$25.99 each - pkg. 5
9/16"	18	7/8"	39/64"	3725	\$0.99 each - Pkg. 25						

PRICES EFFECTIVE JUNE 1ST THROUGH JUNE 30TH 2011 - LIMIT 2 OF ANY ITEM PER CUSTOMER



EXCEPTIONAL PRODUCTS, SERVICE AND INNOVATIVE SOLUTIONS

5250-A Naiman Parkway . Solon . OH 44139

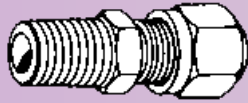
060111

1-800-BUY-BOLT . Fax: 631-567-2418 . www.chromate.com

\$SMART BUYS

June 2011

NTA AIR BRAKE FITTINGS BRASS - MALE CONNECTOR



- UTILIZES RIBBED SLEEVE FOR COMPRESSION AND POSITIVE GRIP
- FIVE REMAKES POSSIBLE WHEN DISASSEMBLED
- BODY (LESS INSERT) INTERCHANGEABLE WITH STANDARD AIR BRAKE COMPRESSION BODIES
- MEETS ALL AIR BRAKE SPECIFICATIONS
- FULLY D.O.T. APPROVED
- USE WITH NYLON TUBING (SAE J844, TYPE 3)

TUBE SIZE	PIPE THREAD	INDUSTRY TYPE	P/N	SPECIAL PRICE
1/4"	1/8"	1468-42	55463	\$4.49 ea. / Pkg. 5
1/4"	1/4"	1468-44	55464	\$5.49 ea. / Pkg. 5
1/4"	3/8"	1468-46	55465	\$6.99 ea. / Pkg. 5
3/8"	1/8"	1468-62	55466	\$6.49 ea. / Pkg. 5
3/8"	1/4"	1468-64	55467	\$4.99 ea. / Pkg. 5
3/8"	3/8"	1468-66	55468	\$6.99 ea. / Pkg. 5
3/8"	1/2"	1468-68	55469	\$11.99 ea. / Pkg. 5
1/2"	1/4"	1468-84	55470	\$8.99 ea. / Pkg. 5
1/2"	3/8"	1468-86	55471	\$5.49 ea. / Pkg. 5
1/2"	1/2"	1468-88	55472	\$14.49 ea. / Pkg. 2
5/8"	3/8"	1468-106	55473	\$16.49 ea. / Pkg. 2
5/8"	1/2"	1468-108	55474	\$8.49 ea. / Pkg. 2
3/4"	1/2"	1468-128	55475	\$24.99 ea. / Pkg. 1
3/4"	3/4"	1468-1212	55476	\$25.99 ea. / Pkg. 1

QUICK-LOK™ ABRASIVES MINI FLAP DISCS

FAST, EFFICIENT DEBURRING, BLENDING, FINISHING AND POLISHING ON ALL TYPES OF METALS AND COMPOSITES. JUST A HALF TWIST AND THEY'RE SECURELY LOCKED IN PLACE; A HALF TWIST AGAIN AND IT'S OFF. IDEAL FOR USE WITH AIR TOOLS & FLEX-SHAFT GRINDERS.



- HIGH QUALITY ZIRCONIUM EFFECTIVE ON MATERIALS FROM MILD STEEL TO EXOTIC TITANIUM ALLOYS, COMPOSITES AND PLASTICS
- COMBINES GRINDING AND FINISHING IN ONE STEP
- "MINI" SIZE ALLOWS ACCESS TO TIGHT AREAS

DIA.	GRIT	P/N	SPECIAL PRICE
2"	40	33937	\$4.99 ea. / Pkg. 3
2"	80	33939	\$4.99 ea. / Pkg. 3
2"	120	33941	\$4.99 ea. / Pkg. 3
3"	40	33943	\$5.99 ea. / Pkg. 2
3"	80	33945	\$5.99 ea. / Pkg. 2
3"	120	33946	\$5.99 ea. / Pkg. 2



PRICES EFFECTIVE JUNE 1ST THROUGH JUNE 30TH 2011 - LIMIT 2 OF ANY ITEM PER CUSTOMER

\$SMART BUYS\$

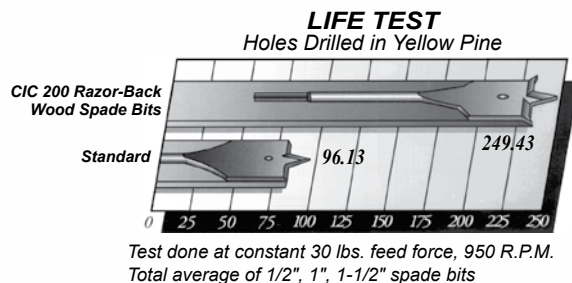
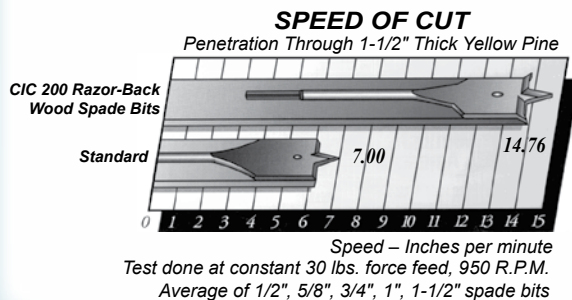
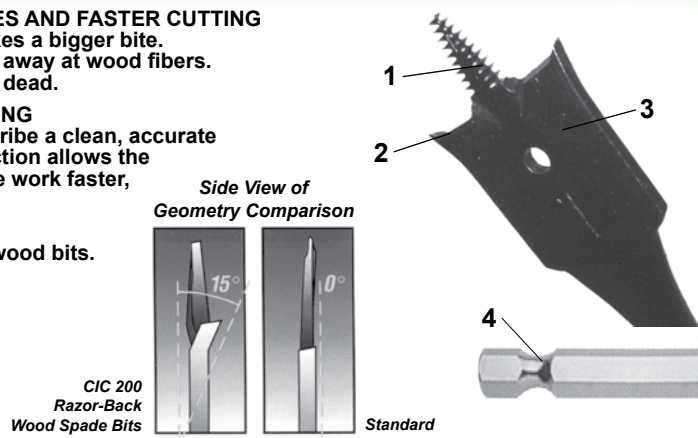
June 2011

CIC 200™ RAZOR-BACK WOOD SPADE BITS

SHARPNESS AND DURABILITY FOR ALL WOOD BORING APPLICATIONS

OUTPERFORMS ALL STANDARD WOOD SPADE BITS WITH A NEW "PROGRESSIVELY ANGLED" GEOMETRY THAT CUTS THROUGH WOOD FASTER, FREER AND SMOOTHER

- CHISEL EDGE DESIGN FOR CLEANER, SMOOTHER HOLES AND FASTER CUTTING**
15° cutting edge attacks wood at a sharper angle, so it takes a bigger bite. This slicing action digs into the wood instead of scraping away at wood fibers. It even blasts through wood knots that stop standard bits dead.
- ANGLED SPURS MAKE BIGGER CHIPS WITH LESS BINDING**
The spurs, cocked slightly forward of the cutting edge, scribe a clean, accurate hole and guide the bit through the wood. This shearing action allows the chisel edge to knock out bigger chips and run through the work faster, with less effort.
- EXCLUSIVE TEMPERING PROCESS**
Toughens bits to last up to 6 times longer than standard wood bits.
- HEX SHANK**
Fits all drills and 1/4" Quick-Change holders and also prevents spinning in drill chuck or in bit extension.



DIAMETER	P/N	SPECIAL PRICE	DIAMETER	P/N	SPECIAL PRICE
1/4"	61580	\$5.99 ea. / Pkg. 3	13/16"	61589	\$6.99 ea. / Pkg. 3
5/15"	61581	\$5.99 ea. / Pkg. 3	7/8"	61590	\$6.99 ea. / Pkg. 3
3/8"	61582	\$5.99 ea. / Pkg. 3	15/16"	61591	\$7.49 ea. / Pkg. 3
7/16"	61583	\$5.99 ea. / Pkg. 3	1"	61592	\$7.49 ea. / Pkg. 3
1/2"	61584	\$5.99 ea. / Pkg. 3	1-1/8"	61593	\$10.99 ea. / Pkg. 1
9/6"	61585	\$6.49 ea. / Pkg. 3	1-1/4"	61594	\$10.99 ea. / Pkg. 1
5/8"	61586	\$6.49 ea. / Pkg. 3	1-3/8"	61595	\$10.99 ea. / Pkg. 1
11/16"	61587	\$6.49 ea. / Pkg. 3	1-1/2"	61596	\$10.99 ea. / Pkg. 1
3/4"	61588	\$6.49 ea. / Pkg. 3			

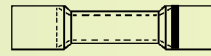
PRICES EFFECTIVE JUNE 1ST THROUGH JUNE 30TH 2011 – LIMIT 2 OF ANY ITEM PER CUSTOMER

\$SMART BUYS

June 2011

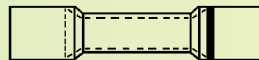
VINYL INSULATED TERMINALS REDUCING BUTT CONNECTORS

- CONNECTS DIFFERENT GAUGE WIRES
- CAN BE USED TO SPLICE MORE THAN TWO WIRES TOGETHER
- SAVES TIME AND MONEY



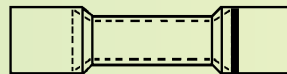
18-22 TO 14-16
P/N 2065

Special Price \$1.99/ea.
Pkg. 25



14-16 TO 10-12
P/N 2066

Special Price \$1.49/ea.
Pkg. 25



10-12 TO 8
P/N 2067

Special Price \$1.99/ea.
Pkg. 25

- BLUE WITH RED STRIPE
- 18-22 TO 14-16
- YELLOW WITH BLUE STRIPE
- 14-16 TO 10-12
- RED WITH YELLOW STRIPE
- 10-12 TO 8

The More
You Save!
The More
You Win!

CIC 200™ WIRE CAPS POZI-LOK WIRE/GROUND CONNECTORS

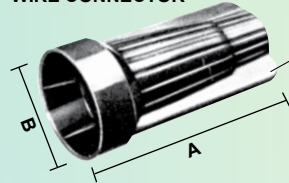
FEATURES

- NO MORE TWISTED WIRES TO LOOSEN
- NEAT CONNECTIONS EVEN IN TIGHT PLACES
- COLOR CODED TO INSURE IDENTIFICATION
- SPECIAL DESIGN PROVIDES SURE CONNECTION EVERY TIME BY HAND – NO TOOLS REQUIRED
- UNIQUE SPIRAL SPRING CONFIGURATION AUTOMATICALLY THREADS AND TWISTS WIRES TOGETHER FOR A PERFECT CONNECTION EVERY TIME

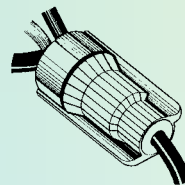
SPECIFICATIONS

- UL LISTED FOR SOLID COPPER TO COPPER WIRES ONLY
- MEETS UL STANDARD 486C
- TEMPERATURE: 105°C MAXIMUM

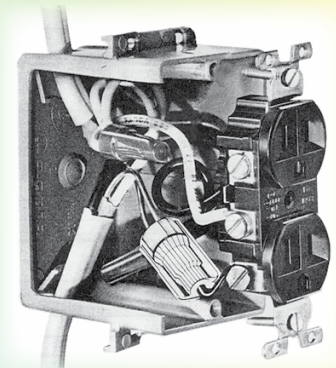
WIRE CONNECTOR



BUILT-IN KNURLED WINGS PROVIDE NON-SLIP GRIP AND EASY INSTALLATION



GROUND CONNECTOR



SIZE	DIMENSIONS		COLOR	VOLTAGE RATING	WIRE COMB. RANGE		P/N	SPECIAL PRICE
	A	B			MIN.	MAX.		
22-16	31/32"	15/32"	YELLOW	600V	2 #18	3 #12	2861	\$34.48/C - pkg. 50
22-14	1-5/32"	9/16"	RED	600V	2 #16	5 #12	2862	\$44.98/C - pkg. 50
22-14	1-1/2"	3/4"	BLUE	600V	1 #10 & 1 #12	1 #6 & 2 #8	2863	\$99.98/C - pkg. 50

PRICES EFFECTIVE JUNE 1ST THROUGH JUNE 30TH 2011 – LIMIT 2 OF ANY ITEM PER CUSTOMER



EXCEPTIONAL PRODUCTS, SERVICE AND INNOVATIVE SOLUTIONS

5250-A Naiman Parkway . Solon . OH 44139

060111

1-800-BUY-BOLT . Fax: 631-567-2418 . www.chromate.com